



NTF is a 450, 800 and 1000 mm short casing type fan, with a carbon steel casing and an electric motor with IP55 protection.

The impeller is made from either casted aluminium or glass fiber reinforced polyamide and the fan is supplied with back and front grid protection. It can be supplied with hot dip galvanization (80 µm) or with C5 surface protection, along with AISI 316 (A4) screws.

NTF can be installed horizontally or vertically, according to the transformer layout.

Standard supply:

Painted version with motor painted in RAL 7035. For galvanized solutions, the motor is painted in RAL 9006.

Ambiente temperature -30 a 50°C conforme datasheets.

Characteristics

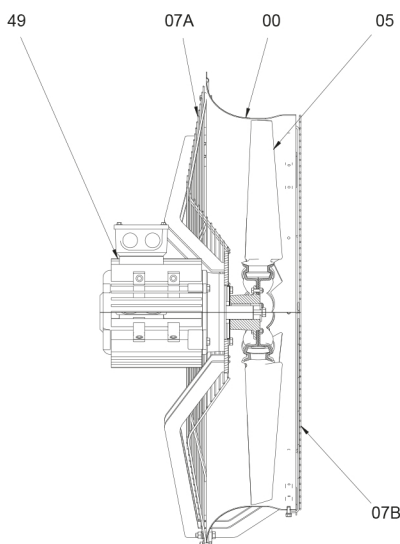
| Parts | Materials |
|------------------|--|
| Casing | Carbon Steel |
| Impeller | Casted Aluminium/ Polyamide/ Glass fiber reinforced polyamide |
| Shaft | AISI420 |
| Terminal Box | IP55 |
| Screws | A4 – AISI316 |
| Protection grill | AISI316 L |
| Optionals | Ambient temperatures -45 to 50°C Entire fan painted with the same RAL Other RAL solutions Other voltages and frequencies Other IP: IP56 and IP66 Tropicalized winding |

Electrical data

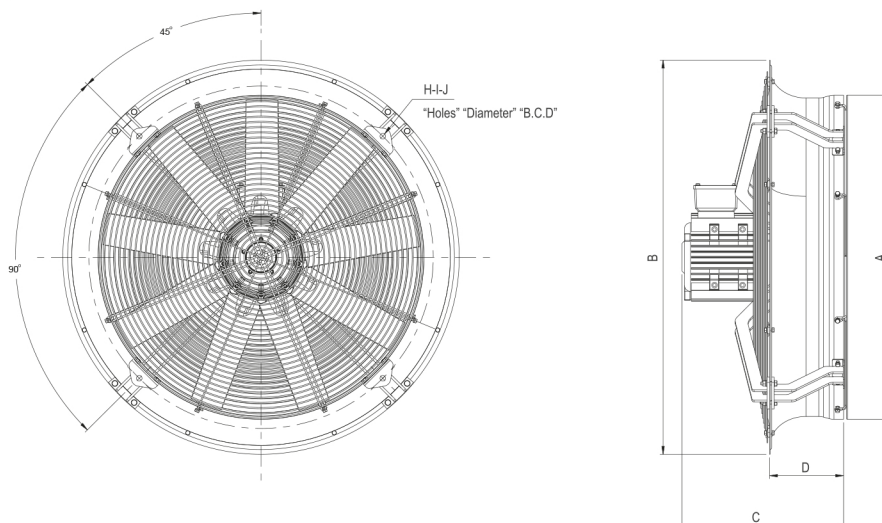
| | |
|----------|---|
| Power | 0,09/ 0,12/ 0,18/ 0,25/ 0,37/ 0,55/ 0,75/ 1,1/ 1,5/ 2,2 kW |
| Poles | 4/ 6/ 8/ 10/ 12/ 16 |
| Voltages | 3x230/400 VAC @ 50 Hz or 3x265/460 VAC @ 60 Hz |

| Part | Designation |
|------|------------------------|
| 00 | Fan casing |
| 05 | Impeller |
| 07A | Inlet protection grid |
| 07B | Outlet protection grid |
| 49 | Motor |

Part list



Dimensions (mm)



| Fan | A | B | C | D | H | I | J |
|-----------------|------|------|-----|-----|---|----|------|
| NTF 450 | 489 | 598 | 305 | 121 | 8 | 14 | 520 |
| NTF 800 | 814 | 990 | 438 | 197 | 4 | 14 | 889 |
| NTF 1000 | 1016 | 1170 | 585 | 214 | 4 | 14 | 1092 |

Technical features

| Model | Frequency (Hz) | Flow (m ³ /h) | Static pressure (Pa) | Fan speed (rpm) | Nominal Power (kW) | Nr. Poles | SPL at 2m [dB(A)] | SWL (dBA) | Weight (Kg) |
|------------------------------------|----------------|--------------------------|----------------------|-----------------|--------------------|-----------|-------------------|-----------|-------------|
| NTF 450R/PA/6/45 - 0,37/4 | 50 | 7650 | 0 (free air) | 1390 | 0,37 | 4 | 69 | 83,0 | 13 |
| NTF 450R/PA/6/35 - 0,18/4 | 50 | 6400 | 0 (free air) | 1390 | 0,18 | 4 | 65 | 79,0 | 13 |
| NTF 450R/PA/6/45 - 0,12/6 | 50 | 4900 | 0 (free air) | 960 | 0,12 | 6 | 58 | 72,0 | 13 |
| NTF 450R/PA/6/35 - 0,12/6 | 50 | 4000 | 0 (free air) | 960 | 0,12 | 6 | 55 | 69,0 | 13 |
| NTF 450R/PA/6/35 - 0,09/8 | 50 | 3050 | 0 (free air) | 725 | 0,09 | 8 | 49 | 63,0 | 13 |
| NTF 800R/A/9/41,5 - 2,2/6 | 50 | 25.000 | 0 (free air) | 960 | 2,2 | 6 | 74 | 88,0 | 55 |
| NTF 800R/A/9/41,5 - 1,1/8 | 50 | 17.500 | 0 (free air) | 710 | 1,1 | 8 | 65 | 79,0 | 47 |
| NTF 800R/A/9/41,5 - 0,55/10 | 50 | 14.300 | 0 (free air) | 540 | 0,55 | 10 | 62 | 76,0 | 55 |
| NTF 800R/A/9/41,5 - 0,25/12 | 50 | 12.000 | 0 (free air) | 420 | 0,25 | 12 | 59 | 73,0 | 47 |
| NTF 800R/A/9/41,5 - 0,25/16 | 50 | 10.000 | 0 (free air) | 310 | 0,25 | 16 | 55 | 69,0 | 55 |
| NTF 1000R/A/6/43 - 2,2/8 | 50 | 38.600 | 0 (free air) | 720 | 2,2 | 8 | 75 | 89,0 | 78 |
| NTF 1000R/A/6/43 - 1,5/10 | 50 | 30.600 | 0 (free air) | 570 | 1,5 | 10 | 69 | 83,0 | 94 |
| NTF 1000R/A/6/43 - 0,75/12 | 50 | 23.600 | 0 (free air) | 440 | 0,75 | 12 | 63 | 77,0 | 78 |
| NTF 1000R/A/6/43 - 0,55/16 | 50 | 18.000 | 0 (free air) | 330 | 0,55 | 16 | 56 | 70,0 | 100 |

Note: Other solutions beyond those shown in the table above can be considered depending on project requirements (e.g. other flow, noise or power solutions available under request please contact export@efaflu.pt)