



Characteristics

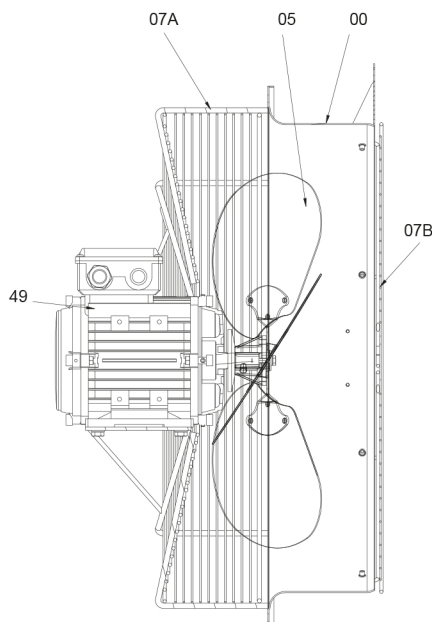
TFBR is a 500 and 550 mm short casing type fan with low noise design conception, with a carbon steel casing and an electric motor with IP56 protection.

The impeller is made from stamped aluminium and the fan is supplied with back and front grid protection. It can be supplied with hot dip galvanization (80 µm) or with C5 surface protection, along with AISI 316 (A4) screws.

TFBR can be installed horizontally or vertically, according to the transformer layout.

| Parts | Materials |
|---------------------|--|
| Casing | Carbon Steel |
| Impeller | Stamped Aluminium |
| Shaft | AISI420 |
| Terminal Box | IP56 |
| Screws | A4 – AISI316 |
| Optionals | Ambient temperatures -45 to 50°C Entire fan painted with the same RAL Other RAL solutions Other voltages and frequencies Other IP: IP56 and IP66 Tropicalized winding |

Part list

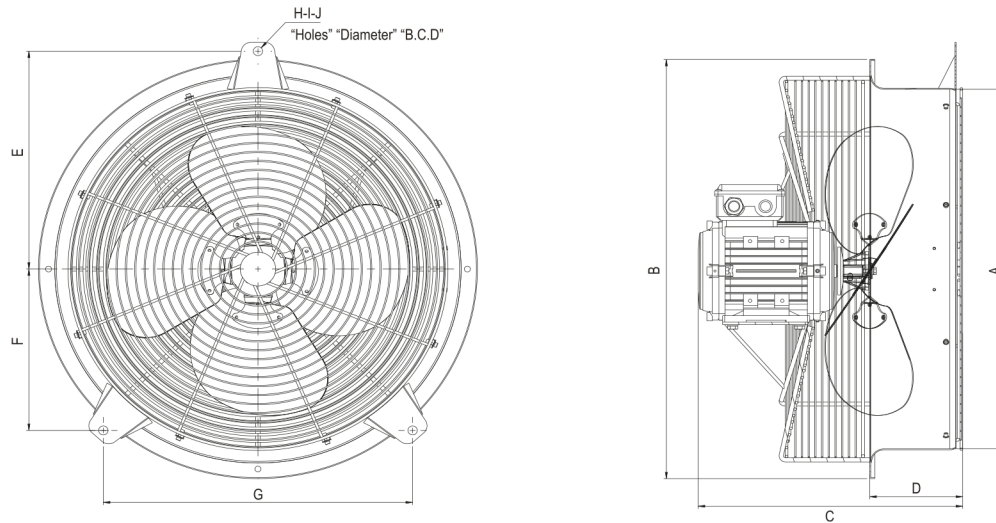


Electrical data

| | |
|-----------------|---|
| Power | 0,18 up to 0,37 kW |
| Poles | 6/8 |
| Voltages | 3x400 VAC @ 50 Hz or 3x460 VAC @ 60 Hz |

| Part | Designation |
|------------|------------------------|
| 00 | Fan casing |
| 05 | Impeller |
| 07A | Inlet protection grid |
| 07B | Outlet protection grid |
| 49 | Motor |

Dimensions (mm)



| Fan | A | B | C | D | E | F | G | H | I | J |
|-----------------|-----|-----|-----|-----|-----|-----|-----|---|----|-----|
| TFBR 500 | 518 | 595 | 370 | 141 | 301 | 203 | 443 | 3 | 14 | 601 |
| TFBR 550 | 562 | 655 | 380 | 138 | 341 | 252 | 462 | 3 | 14 | 682 |

Technical features

| Model | Frequency (Hz) | Flow (m ³ /h) | Static pressure (Pa) | Fan speed (rpm) | Nominal Power (kW) | Nr. Poles | SPL at 2m [dB(A)] | SWL (dBA) | Weight (Kg) |
|----------------------------------|----------------|--------------------------|----------------------|-----------------|--------------------|-----------|-------------------|-----------|-------------|
| TFBR 500R/A/4/27 - 0,18/8 | 50 | 4300 | 0 (free air) | 675 | 0,18 | 8 | 50 | 64,0 | 19 |
| TFBR 550R/A/4/27 - 0,37/6 | 50 | 7500 | 0 (free air) | 900 | 0,37 | 6 | 60 | 74,0 | 20 |
| TFBR 550R/A/4/27 - 0,18/8 | 50 | 6320 | 0 (free air) | 690 | 0,18 | 8 | 51 | 65,0 | 20 |